

480 Legend[™] Series

DIGITAL WEIGHT
INDICATOR



RICE LAKE[®]
WEIGHING SYSTEMS

800-472-6703
www.ricelake.com

480
482

Legend™ Series

DIGITAL WEIGHT INDICATOR

Defining Value and Performance

Rice Lake's Legend Series combines industrial strength with innovative features to deliver the best in performance and value.

Advance to Rice Lake's Legend Series

With NEMA Type 4X, stainless steel enclosure and advanced gasket system, the industrial-strength Legend Series is built for dirty, wet environments and demanding workplaces, inside or out. Choose between large, ultra-bright LED or LCD 0.8-inch displays with 6-digits and sharp contrast for superior display visibility.

Advanced circuitry withstands electrical noise, power disturbances and transient spikes that are common to industrial applications. The Legend Series' six-button tactile keypad allows for quick navigation and programming. The Legend Plus Series offers a full numeric keypad.

The Legend Series offers a valuable solution for a variety of applications, from basic weighing to batching. Keyed tare and built-in gross/net modes provide quick flexibility for everyday needs. Also utilize the 480's custom ticket printing to modify gross, net and setpoint tokens for a tailored print format.





480

482

Power

- Standard AC power for stationary applications
- Optional internal battery for portability, with power-saving modes for long-lasting operation

Options

- Analog output with 0-10 VDC, 0-20 mA, 4-20 mA; configurable for positive and negative value tracking
- Relay output with two inputs and four dry contact relays
- USB and Ethernet TCP/IP board supports server and client connections

Functions

- Internal clock with time stamp can be positioned in configurable print formats
- Unit ID number can be entered by the operator to uniquely identify each scale or job
- Eight batch steps with latched or continuous outputs based on gross, net or delay values

Features

- Two serial ports: one on demand and one continuous or two on demand
- Single scale input from light capacity bench scales to heavy capacity industrial scales
- Local/Remote: add an additional indicator as a secondary display in a remote location

480
482

Legend™ Series

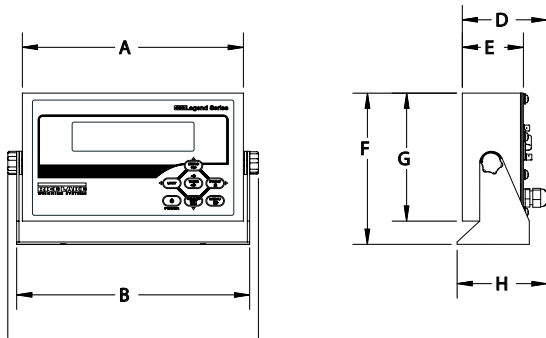
DIGITAL WEIGHT INDICATOR

Standard Features

- 0.8 in, 6-digit, 7-segment display
LED, 480 and 480 Plus
LCD, 482 and 482 Plus
- Time and date, battery backed
- Local/Remote operation
- Numeric keypad (480 Plus and 482 Plus)
- Keypad entries for tare and setpoint values
- Two independent serial ports, RS-232 and 20 mA
- NEMA Type 4X/IP66 stainless steel washdown enclosure
- Password protection for user and configuration changes
- Selectable conversion rate and display update rate
- Hardware or audit trail metrology sealing
- Programmable ticket formats for gross, net, accumulator, and setpoints
- Five continuous stream formats
- Adapter filter or rolling average filter
- Configurable with Revolution software
- Operator functions through menu for audit trail, preset tare, unit ID, accumulator, time and date, setpoints, communications, and print formats
- Eight setpoints, sequenced batch engine

Options/Accessories

- Analog output, 0-10VDC, 0-20mA, 4-20mA, selection for 20% offset
- Relay output, two digital inputs, four dry contact relays (supports two boards)
- Battery, rechargeable lithium ion
Power for 40 hours of battery life on one 350 ohm load
Power-saving modes for sleep and wake-up threshold
- Ethernet TCP/IP and USB interface



LEGEND SERIES DIMENSIONS

A	9.50 in (241 mm)	E	2.75 in (70 mm)
B	10.00 in (254 mm)	F	7.00 in (177 mm)
C	11.00 in (279 mm)	G	6.00 in (152 mm)
D	3.65 in (92 mm)	H	3.75 in (95 mm)

Specifications

Power:	Line voltages: 115 - 230VAC Frequency: 50 or 60Hz Estimated battery life: 40 hours (one 350 ohm load cell) without backlight; 15 hours (one 350 ohm load cell) with backlight
Excitation Voltage:	5VDC, 8 x 350Ω load cells
Analog Signal Input Range:	±7 mV/V
Analog Signal Sensitivity:	0.1 uV/graduation minimum 0.5 uV/graduation recommended
Resolution:	Internal: 523,000 counts Display: 100,000 displayed graduations
Measurement Rate:	Selectable 5, 10, 20, 40 Hz
System Linearity:	Within 0.01% of full scale
Digital Inputs:	Two inputs (requires relay output option) Primary keys, pseudo functions, batching functions
Circuit Protection:	Immunity 10V/m ESD ± 10KV air ± 6KV contact
RFI Protection:	Capacitor bypass and ESD suppressors
Serial Output:	Com 1: RS-232 full duplex; Com 2: RS-232 full duplex or 20 mA simplex; Both ports 1200, 2400, 4800, 9600, 19200, 38400 baud, 7 or 8 data bits, even, odd or no parity
Display:	0.8 in (20 mm), 6-digit, 7-segment
Status Annunciators:	Gross, net, center of zero, standstill, lb, kg, tare, preset tare
Keyboard:	Flat membrane panel, embossed keys, tactile feel
Analog Output Option:	16-bit resolution, voltage output 0-10VDC, current output 0-20 mA / 4-20 mA
Relay Board Option:	(2) Opto-isolated, 5 to 24VDC, active high inputs (4) 30VDC, 2 amp dry-contact relays
Operating Temperature:	Legal: 14°F to 104°F (-10°C to 40°C) Industrial: 14°F to 122°F (-10°C to 50°C)
Weight:	6.4 lb (2.9 kg)
Rating/Material:	Enclosure: NEMA Type 4X/IP66, stainless steel

Warranty

- Two-year limited warranty

Approvals



NTEP CC 12-123,
III/III, Γ_{max} 10,000d



T5692
TC8322
III/III, Γ_{max} 10,000

Measurement
Canada
Approved

AM-5892
III/III, Γ_{max} 10,000



Pending on 482

Your Rice Lake Weighing Systems distributor is:

RICE LAKE
WEIGHING SYSTEMS

230 W. Coleman St. • Rice Lake, WI 54868 • USA
TEL: 715-234-9171 • FAX: 715-234-6967 • www.ricelake.com

An ISO 9001 registered company © 2015 Rice Lake Weighing Systems PN 150617 5/15
Specifications subject to change without notice.