



## Cardinal's Model 825 Digital Weight Indicator

### Features a Full SPECTRUM of Colors

- 640 x 480 Pixel Backlit Interactive Touchscreen LCD
- Color-Coded QWERTY Keyboard for Easy Data Entry
- Two ColdFire® Processors and 64 MB User Memory
- Navigation Keys Combine with Intuitive Menus

*The 825 is loaded with inclusive features and applications ready out of the box!*





## Truck/ID Storage

## Versatile and extensive truck/ID storage reports with the 825 Spectrum.

Filter through truck/ID storage and accumulator data and view reports based on specific criteria directly onscreen in no time at all with the 825 Spectrum's speedy pair of 32-bit ColdFire® processors and 64 MB user memory. Sort by company name, truck number, fleet, ID, accumulator, time, date, oldest load or newest load. Reports may be viewed onscreen and/or printed, plus the truck storage database may be shared with a PC for creating, editing, sorting, and billing.



View Full Reports Onscreen

#	ID	Flags	Weight	Accum
1	CSMC1		12500	23200
2	CSMC2		10000	45000
3	CSMC3		12140	127650
4	CSMC4		8420	23420
5	CSMC5		11480	24880
6	CSMC6		8180	48740
7	CSMC7		9860	18480
8	CSMC8		10840	68400
9	CSMC9		6840	12740
10	CSMC10		11480	68940

Showing: 1-10 of 28 Page: 1/3

Flags: (U)used (T)emporary (Z)ero Weight

Edit Filter Print Show Exit



## Convenient Ticket Setup

## Complete ticket configurability in the 825.

Convenient tab settings with X-Y coordinates allow operators to set up tickets easily for any ASCII printer. Up to five lines of header and footer may be created for text, data, and control codes. Cardinal also offers **VISUALIZER** software for custom tickets.

Cardinal Scale Mfg.  
P.O. Box 151  
203 E. Daugherty  
Webb City, MO 64870

TIME: 10:57am DATE: Nov. 17, 2008 ID: HWF1

**GROSS: 10,257 lb**  
**TARE: 4,389 lb**  
**NET: 5,868 lb**

Phone: (417) 673-4631  
Fax: (417) 673-5001  
www.825spectrum.com  
cardinal@cardet.com  
"Building a better weigh."

Type in Ticket Headers and Footers

Configure tabs page 3

Header

1: Cardinal Scale Mfg.  
2: P.O. Box 151  
3: 203 E. Daugherty  
4: Webb City, MO 64870  
5:

Footer

1: Phone: (417) 673-4631  
2: Fax: (417) 673-5001  
3: www.825spectrum.com  
4: cardinal@cardet.com  
5: "Building a better weigh."

Footer 5



## View up to 10 Scales Simultaneously

## Cardinal's 825 Spectrum provides optimum inventory management for tank farms.

Instantly determine material inventory with the 825's ability to view 10 scales onscreen simultaneously. The power of the Spectrum's large 640 x 480 pixel color LCD becomes apparent when, in one scan of the eye, you can check on your entire tank farm's stocking levels. By touching a scale's weight onscreen, the indicator brings up the individual scale's information to set zone target values and ranges, zero weight, and apply tare weights.



Easily Access Individual Weights



## Intuitive Setup and Configuration Menus

## The 825 Spectrum thinks like you do with intuitive setup and configuration menus.

The 825 Spectrum's large screen size provides ample space for detailed setup and configuration headers with descriptive choices about available options. You may set up the Spectrum with your own preference of onscreen colors and sounds using the convenient interactive touch screen and navigation keys. Up to eight operators (one administrator and seven configurable users) may be established for use with up to 25 levels of permission. The View Audit Trail section is useful for state inspectors and scale technicians providing information on calibration and parameter changes. Time and Date configuration is easy to set up with 12 or 24 hour operation.

Easy to Set Date and Time





### File Management Via Internal Web Server

Transfer data with the 825 Spectrum over a network or Internet connection:

**In the Office • Across Town • Around the World**

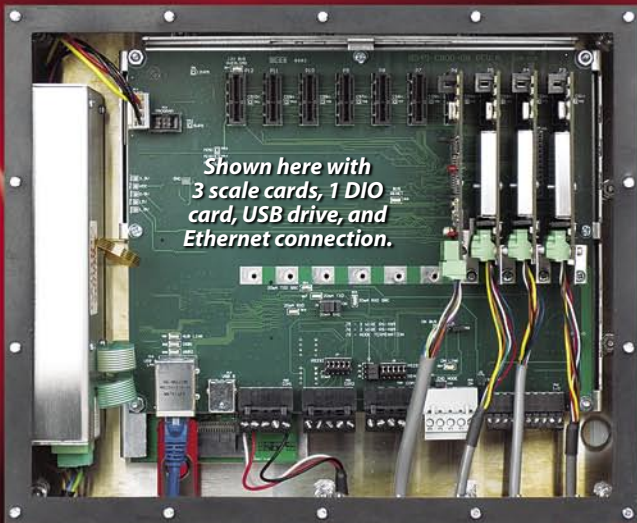
### EASY DATA TRANSFER

Files stored on 825 Spectrum

Database file being transferred from USB drive



Cardinal model 825 Spectrum digital weight indicator



Shown here with 3 scale cards, 1 DIO card, USB drive, and Ethernet connection.



The 825 Spectrum's USB drive supports data transfer, USB QWERTY keyboards, and Cardinal-supported printers.

Copy files with ease to and from the indicator (bottom of 825 Spectrum shown to the left).

## THE COMPLETE TRUCK SCALE SOLUTION



Connect to **REMOTE DISPLAY**

Connect to **TRUCK SCALE**

Connect to **REPORT PRINTER**

Connect to **TICKET PRINTER**



**825 SPECTRUM**

8 DIGITAL I/O (4 INPUT/4 OUTPUT)  
 DEVICENET/ICAN  
 3 SERIAL PORTS (RS232/RS422)  
 64 MB USER MEMORY  
 10 OPTION SLOTS AVAILABLE  
 OPTIONAL SCALE INPUT CARDS  
 UP TO 8 GB USB MEMORY STORAGE  
 ETHERNET CONNECTION (TCP/IP OR EIP)  
 USB CONNECTION (2 USB-A / 1 USB-B)  
 OPTIONAL 8 PROGRAMMABLE I/O'S

# CONNECTIVITY



# Cardinal Model 825

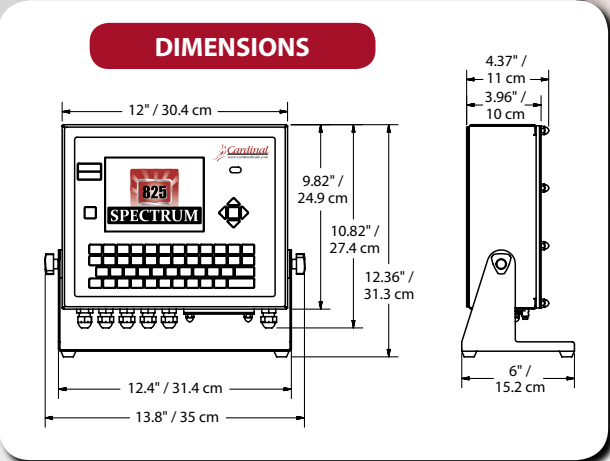


# DIGITAL WEIGHT INDICATOR

# SPECTRUM

## SPECIFICATIONS

<b>Power Requirements:</b>	90 to 264 VAC (50/60 Hz)
<b>Enclosure Type:</b>	Stainless steel
<b>Weight:</b>	16.2 lb / 7.3 kg (includes gimbal)
<b>Operating Environment:</b>	Temperature: 14 to 104 °F (-10 to +40 °C) Humidity: 90% non-condensing (maximum)
<b>Display Size:</b>	5.25" W x 4.0" H / 133 mm W x 102 mm H
<b>Display Resolution:</b>	640 x 480 pixel matrix color backlit LCD
<b>Transducer Excitation:</b>	10.85 VDC
<b>Load Cell Cable Length:</b>	1260 feet maximum with sense lines 30 feet maximum without sense lines <i>Consult factory for other requirements</i>
<b>Division Value:</b>	1, 2, or 5 x 10, 1, 0.1, 0.01, 0.001 and 0.0001 commercial 0 to 99, non-commercial
<b>Signal Input Range:</b>	1.0 mV min. to 33 mV max. (with dead load boost)
<b>Number of Load Cells:</b>	Up to 14 per SIB / 48 - 350 ohm load cells total
<b>Sensitivity:</b>	
NON-COMMERCIAL	0.15 uV/e
CANADA	0.3 uV/e (Class III/IIIHD)
OIML	0.5 uV/e (Class III)
<b>Max Scale Divisions:</b>	
NON-COMMERCIAL	240,000
CANADA	10,000 (Class III/IIIHD)
OIML	10,000 (Class III), 1000 (Class III)
<b>Internal Resolution:</b>	>100,000 counts
<b>Tare Capacity:</b>	Six digits (999,999)
<b>Sample Rate:</b>	1 to 200 samples per second, selectable
<b>Auto Zero Range:</b>	0.5 or 1 through 9 divisions
<b>Weighing Units:</b>	Tons, pounds, tonnes (metric tons), kilograms, and custom
<b>Keypad:</b>	Membrane type with 52 color-coded keys and touch screen display with multiple programmable soft keys
<b>Sound:</b>	Configurable audio beep
<b>Standard I/O:</b>	1 each bi-directional RS-232 port 1 each bi-directional RS-232/20mA port 1 each bi-directional RS-232/RS485 port 1 each DeviceNet/ICAN port 4 each isolated inputs and 4 each isolated outputs ports 1 each 10/100 Base-T Ethernet port (TCP/IP or EIP) 2 each USB A host port 1 each USB B device port



The 825 Spectrum may also use Cardinal's **VISUALIZER** Ticket and Label Generation Software

Cardinal Scale reserves the right to improve, enhance or modify features and specifications without prior notice. All registered trademarks are the property of their respective owners.

## CERTIFICATIONS



**Cardinal**  
 Cardinal Scale Manufacturing Co.  
 203 E. Daugerty, Webb City, MO 64870 USA  
 Ph: 417-673-4631 or 800-441-4237 • Fax: 417-673-5001  
 www.cardinalscale.com

**SOLD BY:**