



Valor[®] 2000

Compact Bench Scales



V22PW



V22XW

First-of-Its Kind Scale Improves Safety, Efficiency and Productivity of Wet Food Weighing!

The OHAUS Valor 2000 water-resistant food scale raises the bar and sets a new industry-high standard through its unmatched efficiency, accuracy and durability. A water resistant ABS or stainless steel design, the largest LED display on the market, almost instantaneous results and high accuracy are just a few of the reasons that the Valor 2000 is the premiere scale for working with liquids or in a wet environment.

Standard Features Include:

- **Knife Proof Overlay Prevents Damage from Sharp Objects**—The durable housing and polycarbonate overlay protect the scale from damage when it comes into contact with sharp objects.
- **Flow Thru™ Design Protects Valor 2000 from Water Damage** — Valor 2000's flow-thru design makes it safe for weighing liquids or working in wet environments. The highly durable Valor 2000 can get wet and will not sustain damage.
- **Fast and Accurate Results Time and Time Again** — Don't sacrifice speed or accuracy – with Valor 2000, you will have both! Valor 2000 has a maximum external resolution of 1:6,000/7,500 and displays results in less than half a second.
- **Large Dual Displays Allow Two Operators to Easily Work on Valor 2000 at the Same Time** — With the largest dual LED displays in its class, Valor 2000 can be easily utilized by two operators. Even in less than optimal conditions, the large, brightly lit displays ensure that you can see your results with ease.

Valor® 2000 Compact Bench Scale

Knife Proof Overlay Prevents Damage from Sharp Objects

Valor 2000 is constructed with highly durable 0.5 mm polycarbonate overlay, protecting it when it comes in contact with sharp objects such as knives, scissors, and other kitchen tools. Its two function keys can even be safely pressed with sharp objects so the operator never has to put down their tool or utensil or interrupt the flow of their work!



Flow Thru™ Design Protects Valor 2000 from Water Damage

The flow-thru, water-resistant design allows for safe weighing of liquid components and can be used in harsh or damp environments. Valor 2000's IPX8 full waterproof construction and silicon glue sealing design to its PCBA make it durable in extreme environments and eliminates the risk of water damage. Additionally, cleaning your scale has never been safer and easier, further ensuring the cleanliness of your workstation.



Inside PCBA Silicon Glue Sealing

Valor 2000 Produces Fast and Accurate Results Time and Time Again

This highly accurate scale has a 1:6,000/7,500 maximum displayed resolution and displays results in less than half a second, increasing productivity and efficiency in the workplace. Maximize your time and get more accomplished in a shorter time period with the assistance of Valor 2000's speed and precision.



Large Dual Displays Allow Two Operators to Easily Work on Valor 2000 at the Same Time

Two large displays allow two operators to share one scale and are easy-to-read even from a distance. The LED screens are almost one inch high and 46% larger than comparable products. The size of the screens make results easy to read in dark and dim conditions. With the option to have two operators use the same machine comes the opportunity to reduce the number of scales needed to do a job in half the time, subsequently cutting your equipment costs in half.



Rear Display

Power and Portability

The 100-240 VAC universal power adapter can be operated from virtually any power source and automatically switch to adapt to different power and voltage lines. When plugging your machine in is not an option, the built-in, rechargeable lead acid battery will provide power for 50 continuous hours, ensuring uninterrupted operation for more than a full work week!



Simple Operation

Valor® 2000 was designed with the basic weighing needs of the food industry in mind. It is extremely easy to setup and operate, resulting in increased productivity.



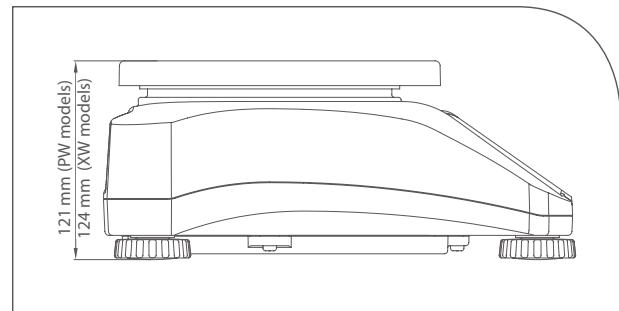
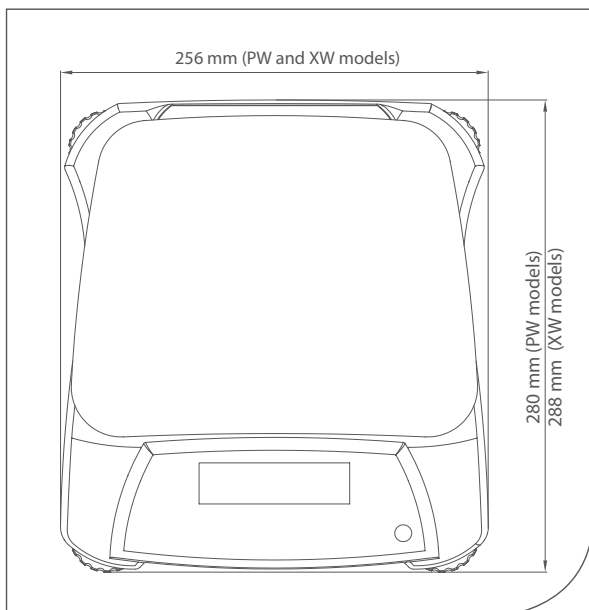
Application Modes

- **Weighing**— Determine the weight of items in the selected unit of measure.
- **Checkweighing** (V22XW only) — Compare the weight of a sample against target limits.



Certifications

The Valor 2000's food-safe design is NSF Certified, USDA-AMS Accepted and supports HACCP-Certified systems.



Valor® 2000 Compact Bench Scale

Model	V22PWE1501T V22XWE1501T	V22PWE3T V22XWE3T	V22PWE6T V22XWE6T	V22PWE15T V22XWE15T
Capacity (max) x Readability (d)	1.5 x 0.0002 kg 1500 x 0.2g 3 x 0.0005 lb 48 x 0.01 oz	3 x 0.0005 kg 3000 x 0.5 g 6 x 0.001 lb 96 x 0.02 oz	6 x 0.001 kg 6000 x 1 g 15 x 0.002 lb 240 x 0.05 oz	15 x 0.002 kg 15000 x 2 g 30 x 0.005 lb 480 x 0.1 oz
Maximum Resolution	1: 6,000 / 1:7,500			
Weighing Units	V22PW: g / lb * V22XW: g, kg, lb, oz, lb:oz			
Application Modes	V22PW: Weighing V22XW: Weighing, Checkweighing			
Keyboard	V22PW: Two mechanical switches with polycarbonate overlay V22XW: Four mechanical switches with polycarbonate overlay			
Calibration	Digital external span calibration			
Display	7 segment, 6 digital / 20.5 mm high red LED, dual display			
Display Indicators	Stability, center of zero, net, battery status			
Tare Range	To capacity by subtraction			
Zero Range	4% - 20% of Capacity			
Stabilization Time	≤0.5 second			
Overload Capacity	150% of capacity			
Operating Temperature Range	-10 °C to 40 °C, 10% to 90% relative humidity non-condensing			
Construction	V22PW: Stainless steel platform, ABS housing V22XW: Stainless steel platform and housing			
Power	12V DC 0.84A, AC Universal adapter (100-220V AC / 50-60Hz) included			
Battery Life	Internal rechargeable sealed lead-acid battery with 50 hours continuous use			
Ingress Protection	IPX8 Water in water out			
Platform Size	190 x 242 mm			
Scale Dimensions (W x D x H)	V22PW: 280 x 256 x 121 mm V22XW: 288 x 256 x 124 mm			
Shipping Dimensions (W x D x H)	410 x 370 x 220 mm			
Net Weight	V22PW: 3.0 kg V22XW: 3.9 kg			
Shipping Weight	V22PW: 4.0 kg V22XW: 4.9 kg			

* Unit: g, kg, lb, oz, lb:oz can be switched in service menu by authorized service engineer.

Other Standard Features and Equipment

Level bubble, easy-to-transport carrying handle, removable stainless steel platform and chemical-resistant overlay, new mechanical keys, spring loaded cover to protect power connector of scale

Approvals

- **Product Safety:** CAN/CSA-C22.2 No. 61010-1-04; UL Std. No. 61010-1 (2nd Edition)
- **Electromagnetic Compatibility:** FCC, Part 15, Class A; EN61326-1:2006 (Class B); C-Tick
- **Environmental Protection:** IPX8
- **Food Safety:** NSF; USDA
- **Other:** WEEE/RoHS

OHAUS CORPORATION
www.ohaus.com
ISO 9001:2008
Registered Quality
Management System

80774727 © Copyright OHAUS Corporation

